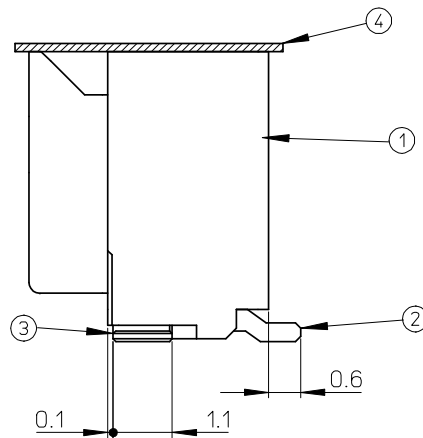
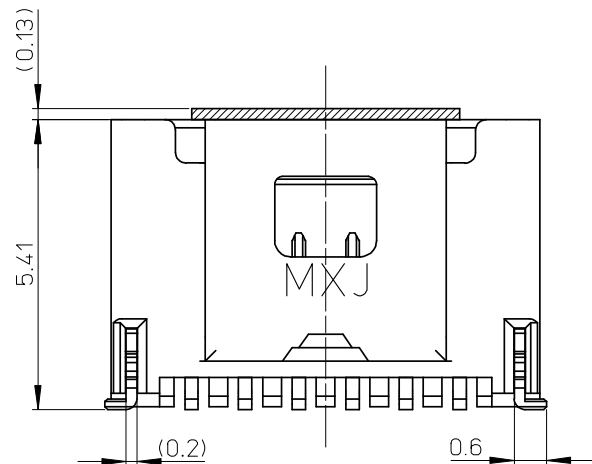


番号 NO.	部品 PART	材質 MATERIAL
①	ウエハー WAFER	耐熱ナイロン樹脂 UL94V-0 色:表参照 ③ HEAT RESISTANCE NYLON UL94V-0, COLOR:SEE TABLE
②	ソルダーピン SOLDER PIN	りん青銅 PHOSPHOR BRONZE 錫メッキ: 1.0 μmMIN. TIN ニッケルメッキ(下地): 1.0 μmMIN. NICKEL(UNDER PLATING)
③	ネイル NAIL	りん青銅 PHOSPHOR BRONZE 錫メッキ: 1.0 μmMIN. TIN ニッケルメッキ(下地): 1.0 μmMIN. NICKEL(UNDER PLATING)
④	カバーテープ COVER TAPE	ポリイミドテープ POLYIMIDE TAPE



14.0	17.0	501331-15*9	15	501331-***9
13.0	16.0	501331-14*9	14	
12.0	15.0	501331-13*9	13	
11.0	14.0	501331-12*9	12	
10.0	13.0	501331-11*9	11	
9.0	12.0	501331-10*9	10	
8.0	11.0	501331-09*9	9	
7.0	10.0	501331-08*9	8	
6.0	9.0	501331-07*9	7	
5.0	8.0	501331-06*9	6	

NOTES.

1. 嵌合相手: 501330-\*\*\*\*  
MATE WITH: 501330-\*\*\*\*
2. ソルダーピン及びネイル平坦度は、0.1MAX.  
SOLDER PIN AND NAIL COPLANARITY TO BE 0.1MAX.
- ③ 極数=偶数に適用  
APPLY FOR CKT SIZE=EVEN
4. 2~5極は、SD-501331-001を参照下さい。  
REFER TO SD-501331-001 ABOUT 2-5CKT.
5. ELV及びRoHS適合品。  
ELV AND RoHS COMPLIANT.

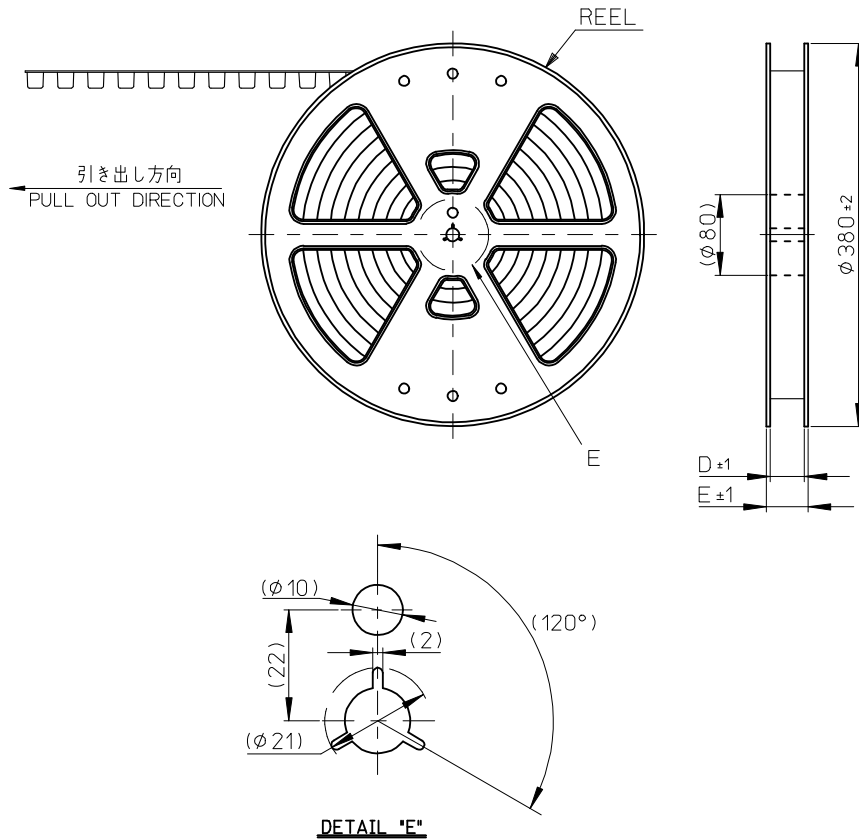
※対応可能な極数は、別途お問い合わせ下さい。

REVISED		DESCRIPTION		GENERAL TOLERANCES (UNLESS SPECIFIED)		DIMENSION STYLE		SCALE	DESIGN UNITS	THIRD ANGLE PROJECTION	
EC NO: J2008-3908	2008/05/14	DRW:RMAKATA	2008/05/14	10 UNDER	±0.2	MM ONLY	10:1	METRIC	1.0 WIRE TO BOARD CONN. WAFER ASS'Y (1-ROW S/T) 6-15CKT		
DRW:RMAKATA	2008/05/14	CHK:HMATSUMOTO	2008/05/14	10 OVER 30 UNDER	±0.25				MOLEX INCORPORATED		
CHK:HMATSUMOTO	2008/05/14	APPR:NUKITA	2008/05/14	30 OVER	±0.3				SD-501331-002		
APPR:NUKITA	2008/05/14			ANGULAR	±3				SHEET NO. 1 OF 2		
				DRAFT WHERE APPLICABLE MUST REMAIN WITHIN DIMENSIONS		SEE TABLE		DOCUMENT NO.		THIS DRAWING CONTAINS INFORMATION THAT IS PROPRIETARY TO MOLEX INCORPORATED AND SHOULD NOT BE USED WITHOUT WRITTEN PERMISSION	

紫 PA46 VIOLET ㊄	橙 PA46 ORANGE ㊄	茶 PA46 BROWN ㊄	緑 PA46 GREEN ㊄	青 PA46 BLUE ㊄	黄 PA46 YELLOW ㊄㊅	赤 PA46 RED ㊄	色 COLOR	
501331-1599	501331-1589	501331-1579	501331-1569	501331-1549	501331-1539	501331-1529	15	
501331-1499	501331-1489	501331-1479	501331-1469	501331-1449	501331-1439	501331-1429	14	
501331-1399	501331-1389	501331-1379	501331-1369	501331-1349	501331-1339	501331-1329	13	
501331-1299	501331-1289	501331-1279	501331-1269	501331-1249	501331-1239	501331-1229	12	
501331-1199	501331-1189	501331-1179	501331-1169	501331-1149	501331-1139	501331-1129	11	
501331-1099	501331-1089	501331-1079	501331-1069	501331-1049	501331-1039	501331-1029	10	
501331-0999	501331-0989	501331-0979	501331-0969	501331-0949	501331-0939	501331-0929	9	
501331-0899	501331-0889	501331-0879	501331-0869	501331-0849	501331-0839	501331-0829	8	
501331-0799	501331-0789	501331-0779	501331-0769	501331-0749	501331-0739	501331-0729	7	
501331-0699	501331-0689	501331-0679	501331-0669	501331-0649	501331-0639	501331-0629	6	
MATERIAL NO.	MATERIAL NO.	MATERIAL NO.	MATERIAL NO.	MATERIAL NO.	MATERIAL NO.	MATERIAL NO.	CKT.	MODEL NO.

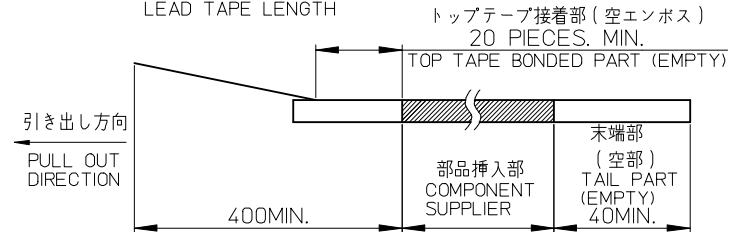
自然色 PA6T NATURAL ㊄	色 COLOR	
501331-1509	15	
501331-1409	14	
501331-1309	13	
501331-1209	12	
501331-1109	11	
501331-1009	10	
501331-0909	9	
501331-0809	8	
501331-0709	7	
501331-0609	6	
MATERIAL NO.	CKT.	MODEL NO.

REVISED EC NO: J2008-3908 DRAWN: MAKATA 2008/05/14 CHKD: MATSUMOTO 2008/05/14 APPR: NUKITA 2008/05/14	GENERAL TOLERANCES (UNLESS SPECIFIED)		DIMENSION STYLE MM ONLY		SCALE ---	DESIGN UNITS METRIC	THIRD ANGLE PROJECTION	
	10 UNDER	±0.2	DRAWN BY NYOSHIDA	DATE 2004/07/30	TITLE 1.0 WIRE TO BOARD CONN. WAFER ASS'Y (1-ROW S/T) 6-15CKT			
	10 OVER 30 UNDER	±0.25	CHECKED BY MYAGI	DATE 2004/07/30				
	30 OVER	±0.3	APPROVED BY MIYAZAWA	DATE 2004/07/30	MOLEX INCORPORATED			
	ANGULAR ±3 °		MATERIAL NO.	DOCUMENT NO.				
DRAFT WHERE APPLICABLE MUST REMAIN WITHIN DIMENSIONS		SEE TABLE		SD-501331-002		SHEET NO. 2 OF 2		



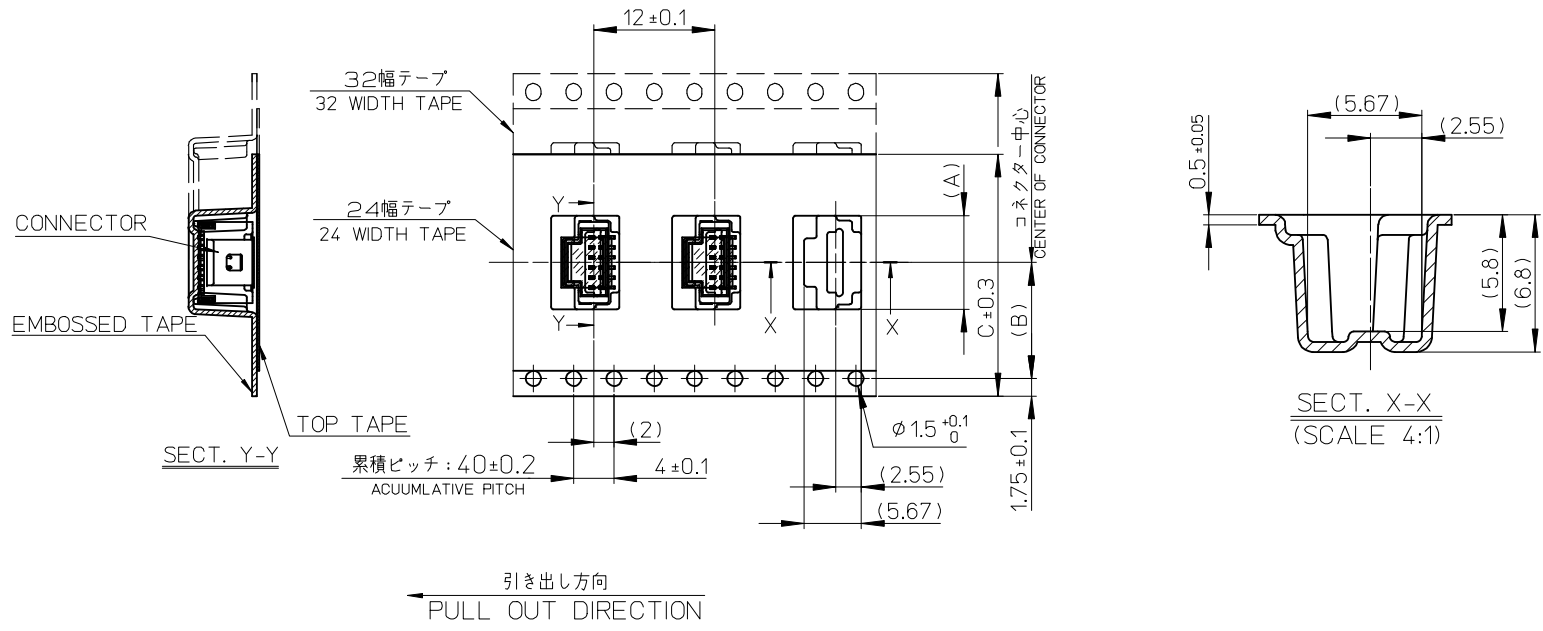
NOTES.

1. 製品詳細寸法については製品単体図面を参照ください。  
ABOUT DETAILED DIMENSION, SEE PRODUCT DRAWING.
2. 梱包数量：1100個/リール  
NUMBER OF CONNECTORS：1100PIECES/REEL
3. リードテープ長さ  
LEAD TAPE LENGTH



4. 材料  
MATERIAL  
キャリアテープ：ポリプロピレン  
CARRIER TAPE：POLYPROPYLENE  
トップテープ：PET、PE、REF  
TOP TAPE  
リール：ポリスチレン (リサイクル材を含む)  
REEL：POLYSTYLENE (RECYCLE MATERIAL CONTAINED)
5. ELV 及び RoHS適合品  
ELV AND RoHS COMPLIANT.
6. ハイバリア梱包 (シリカゲル入り) 対応品である。(501331-\*\*07除く)  
THIS PRODUCT IS HIGH BARRIER PACKAGE.(WITH SILICAGEL)  
(BESIDES 501331-\*\*07)
7. 開梱後の保管条件に注意のこと。(ハイバリア品対象：PS-501331-001参照)  
REFER TO PS-501331-001(HIGH BARRIER PRODUCT)  
FOR CONDITIONS AFTER OPEN.

REVISED EC NO. J2009-0344 DRW:RMAKATA 2008/09/01 CHK:DHMATSUMOTO 2008/09/01 APPR:NUKITA 2008/09/01	GENERAL TOLERANCES (UNLESS SPECIFIED)		DIMENSION STYLE MM ONLY		SCALE ---	DESIGN UNITS METRIC	THIRD ANGLE PROJECTION
	10 UNDER	±0.2	DRAWN BY NYOSHIDA	DATE 2005/01/18	TITLE 1.0 WIRE TO BOARD CONN. WAFER ASS'Y (1-ROW S/T) EMBSTP PKG		
	10 OVER 30 UNDER	±0.25	CHECKED BY MYAGI	DATE 2005/01/18	MOLEX INCORPORATED		
	30 OVER	±0.3	APPROVED BY ANODA	DATE 2005/01/18	MATERIAL NO. SEE SHEET 2	DOCUMENT NO. SD-501331-004	SHEET NO. 1 OF 4
	ANGULAR ±1 °	THIS DRAWING CONTAINS INFORMATION THAT IS PROPRIETARY TO MOLEX INCORPORATED AND SHOULD NOT BE USED WITHOUT WRITTEN PERMISSION					
	DRAFT WHERE APPLICABLE MUST REMAIN WITHIN DIMENSIONS						



37.4	33.4	32	14.2	18.3	501331-15*9	501331-15*7	15	501331-***7
				17.3	501331-14*9	501331-14*7	14	
29.4	25.4	24	11.5	16.3	501331-13*9	501331-13*7	13	
				15.3	501331-12*9	501331-12*7	12	
				14.3	501331-11*9	501331-11*7	11	
				13.3	501331-10*9	501331-10*7	10	
				12.3	501331-09*9	501331-09*7	9	
				11.3	501331-08*9	501331-08*7	8	
				10.3	501331-07*9	501331-07*7	7	
				9.3	501331-06*9	501331-06*7	6	
E	D	C	(B)	(A)	CONNECTOR	MATERIAL NO.	CKT.	MODEL NO.

<b>REVISED</b> EC NO.: J2009-0344 DRW: NAKATA 2008/09/01 CHK: MATSUMOTO 2008/09/01 APPR: NUKITA 2008/09/01	GENERAL TOLERANCES (UNLESS SPECIFIED)		DIMENSION STYLE		SCALE	DESIGN UNITS	TITLE <b>1.0 WIRE TO BOARD CONN. WAFER ASS'Y (1-ROW S/T) EMBSTP PKG</b> MOLEX INCORPORATED SD-501331-004 SHEET NO. 2 OF 4
	10 UNDER ±0.2		MM ONLY		---	METRIC	
	10 OVER 30 UNDER ±0.25		DRAWN BY DATE		THIRD ANGLE PROJECTION		
	30 OVER ±0.3		NYOSHIDA 2005/01/18		MATERIAL NO.		
	ANGULAR ±1 °		CHECKED BY DATE		DOCUMENT NO.		
DRAFT WHERE APPLICABLE MUST REMAIN WITHIN DIMENSIONS		MYAGI 2005/01/18		SEE TABLE		SD-501331-004	
		APPROVED BY DATE		THIS DRAWING CONTAINS INFORMATION THAT IS PROPRIETARY TO MOLEX INCORPORATED AND SHOULD NOT BE USED WITHOUT WRITTEN PERMISSION			
		ANODA 2005/01/18					

CONFIDENTIAL

緑 GREEN		青 BLUE		黄 YELLOW		赤 RED		色 COLOR	
501331-1569	501331-1567	501331-1549	501331-1547	501331-1539	501331-1537	501331-1529	501331-1527	15	501331-***7
501331-1469	501331-1467	501331-1449	501331-1447	501331-1439	501331-1437	501331-1429	501331-1427	14	
501331-1369	501331-1367	501331-1349	501331-1347	501331-1339	501331-1337	501331-1329	501331-1327	13	
501331-1269	501331-1267	501331-1249	501331-1247	501331-1239	501331-1237	501331-1229	501331-1227	12	
501331-1169	501331-1167	501331-1149	501331-1147	501331-1139	501331-1137	501331-1129	501331-1127	11	
501331-1069	501331-1067	501331-1049	501331-1047	501331-1039	501331-1037	501331-1029	501331-1027	10	
501331-0969	501331-0967	501331-0949	501331-0947	501331-0939	501331-0937	501331-0929	501331-0927	9	
501331-0869	501331-0867	501331-0849	501331-0847	501331-0839	501331-0837	501331-0829	501331-0827	8	
501331-0769	501331-0767	501331-0749	501331-0747	501331-0739	501331-0737	501331-0729	501331-0727	7	
501331-0669	501331-0667	501331-0649	501331-0647	501331-0639	501331-0637	501331-0629	501331-0627	6	
CONNECTOR	MATERIAL NO.	CONNECTOR	MATERIAL NO.	CONNECTOR	MATERIAL NO.	CONNECTOR	MATERIAL NO.	CKT.	MODEL NO.

自然色 NATURAL		色 COLOR	
501331-1509	501331-1507	15	501331-***07
501331-1409	501331-1407	14	
501331-1309	501331-1307	13	
501331-1209	501331-1207	12	
501331-1109	501331-1107	11	
501331-1009	501331-1007	10	
501331-0909	501331-0907	9	
501331-0809	501331-0807	8	
501331-0709	501331-0707	7	
501331-0609	501331-0607	6	
CONNECTOR	MATERIAL NO.	CKT.	MODEL NO.

REVISED EC NO: J2009-0344 DRW: RAKATA 2008/09/01 CHK: D. MATSUMOTO 2008/09/01 APPR: NUKITA 2008/09/01	GENERAL TOLERANCES (UNLESS SPECIFIED)		DIMENSION STYLE MM ONLY		SCALE ---	DESIGN UNITS METRIC	THIRD ANGLE PROJECTION
	10 UNDER	±0.2	DRAWN BY NYOSHIDA	DATE 2005/01/18	TITLE 1.0 WIRE TO BOARD CONN. WAFER ASS'Y (1-ROW S/T) EMBSTP PKG		
	10 OVER 30 UNDER	±0.25	CHECKED BY MYAGI	DATE 2005/01/18	MOLEX INCORPORATED		
	30 OVER	±0.3	APPROVED BY ANODA	DATE 2005/01/18	MATERIAL NO.	DOCUMENT NO.	SHEET NO.
	ANGULAR ±1 °	DRAFT WHERE APPLICABLE MUST REMAIN WITHIN DIMENSIONS		SEE TABLE		SD-501331-004	3 OF 4
		THIS DRAWING CONTAINS INFORMATION THAT IS PROPRIETARY TO MOLEX INCORPORATED AND SHOULD NOT BE USED WITHOUT WRITTEN PERMISSION					

紫 VIOLET		橙 ORANGE		茶 BROWN		色 COLOR	
501331-1599	501331-1597	501331-1589	501331-1587	501331-1579	501331-1577	15	501331-***7
501331-1499	501331-1497	501331-1489	501331-1487	501331-1479	501331-1477	14	
501331-1399	501331-1397	501331-1389	501331-1387	501331-1379	501331-1377	13	
501331-1299	501331-1297	501331-1289	501331-1287	501331-1279	501331-1277	12	
501331-1199	501331-1197	501331-1189	501331-1187	501331-1179	501331-1177	11	
501331-1099	501331-1097	501331-1089	501331-1087	501331-1079	501331-1077	10	
501331-0999	501331-0997	501331-0989	501331-0987	501331-0979	501331-0977	9	
501331-0899	501331-0897	501331-0889	501331-0887	501331-0879	501331-0877	8	
501331-0799	501331-0797	501331-0789	501331-0787	501331-0779	501331-0777	7	
501331-0699	501331-0697	501331-0689	501331-0687	501331-0679	501331-0677	6	
CONNECTOR	MATERIAL NO.	CONNECTOR	MATERIAL NO.	CONNECTOR	MATERIAL NO.	CKT.	MODEL NO.

REVISED EC NO. J2009-0344 DRW: RYUKAKATA 2008/09/01 CHK: D. MATSUMOTO 2008/09/01 APPR: NUKITA 2008/09/01	GENERAL TOLERANCES (UNLESS SPECIFIED)		DIMENSION STYLE MM ONLY		SCALE ---	DESIGN UNITS METRIC	THIRD ANGLE PROJECTION
	10 UNDER	±0.2	DRAWN BY NYOSHIDA	DATE 2005/01/18	TITLE 1.0 WIRE TO BOARD CONN. WAFER ASS'Y (1-ROW S/T) EMBSTP PKG		
	10 OVER 30 UNDER	±0.25	CHECKED BY MYAGI	DATE 2005/01/18	APPROVED BY ANODA 2005/01/18		
	30 OVER	±0.3	MATERIAL NO. SEE TABLE		DOCUMENT NO. SD-501331-004		SHEET NO. 4 OF 4
ANGULAR ±1 °		DRAFT WHERE APPLICABLE MUST REMAIN WITHIN DIMENSIONS		MOLEX INCORPORATED THIS DRAWING CONTAINS INFORMATION THAT IS PROPRIETARY TO MOLEX INCORPORATED AND SHOULD NOT BE USED WITHOUT WRITTEN PERMISSION			